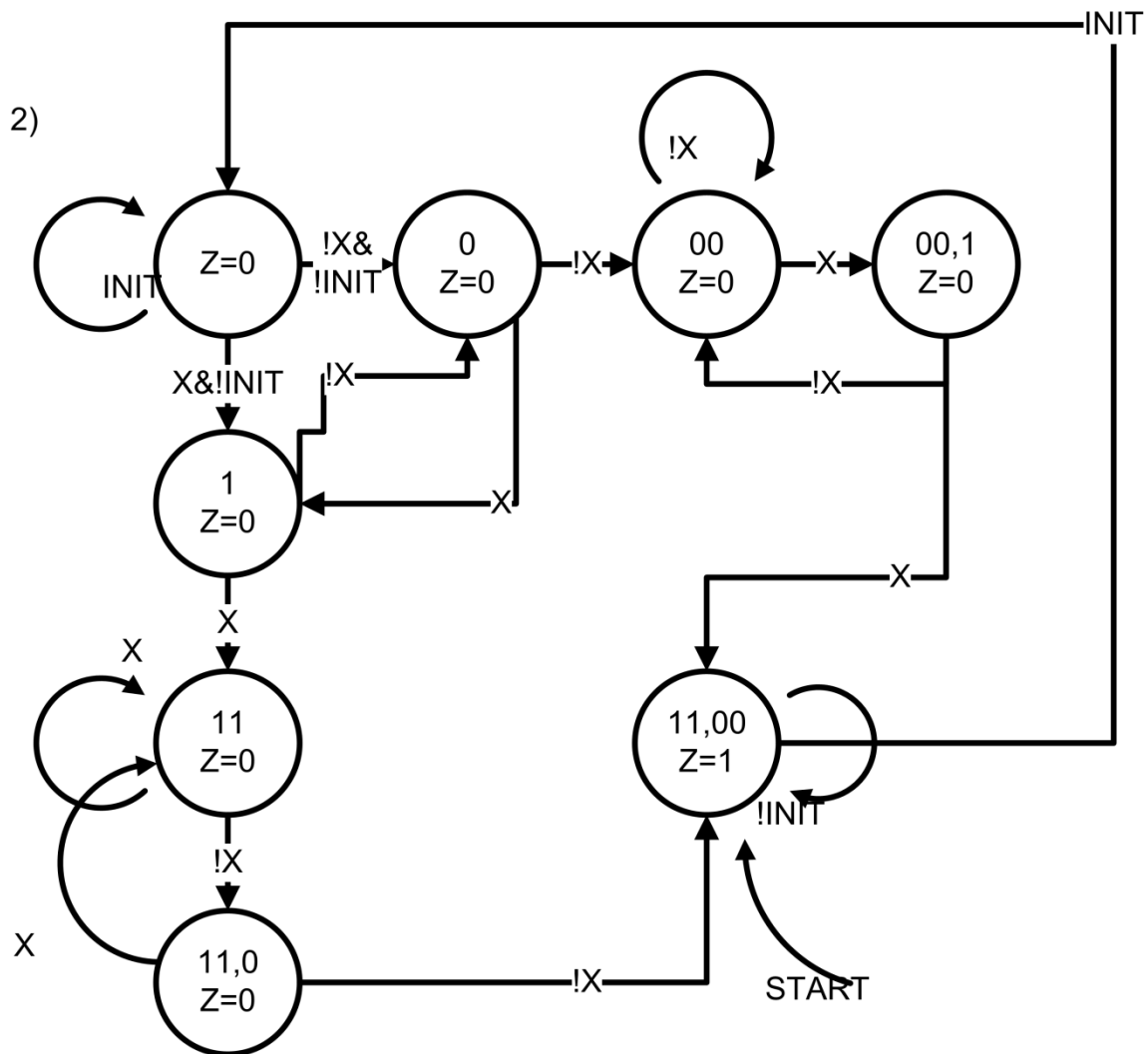


EECS 270 INDIVIDUAL HW #5: ANSWER KEY

1)

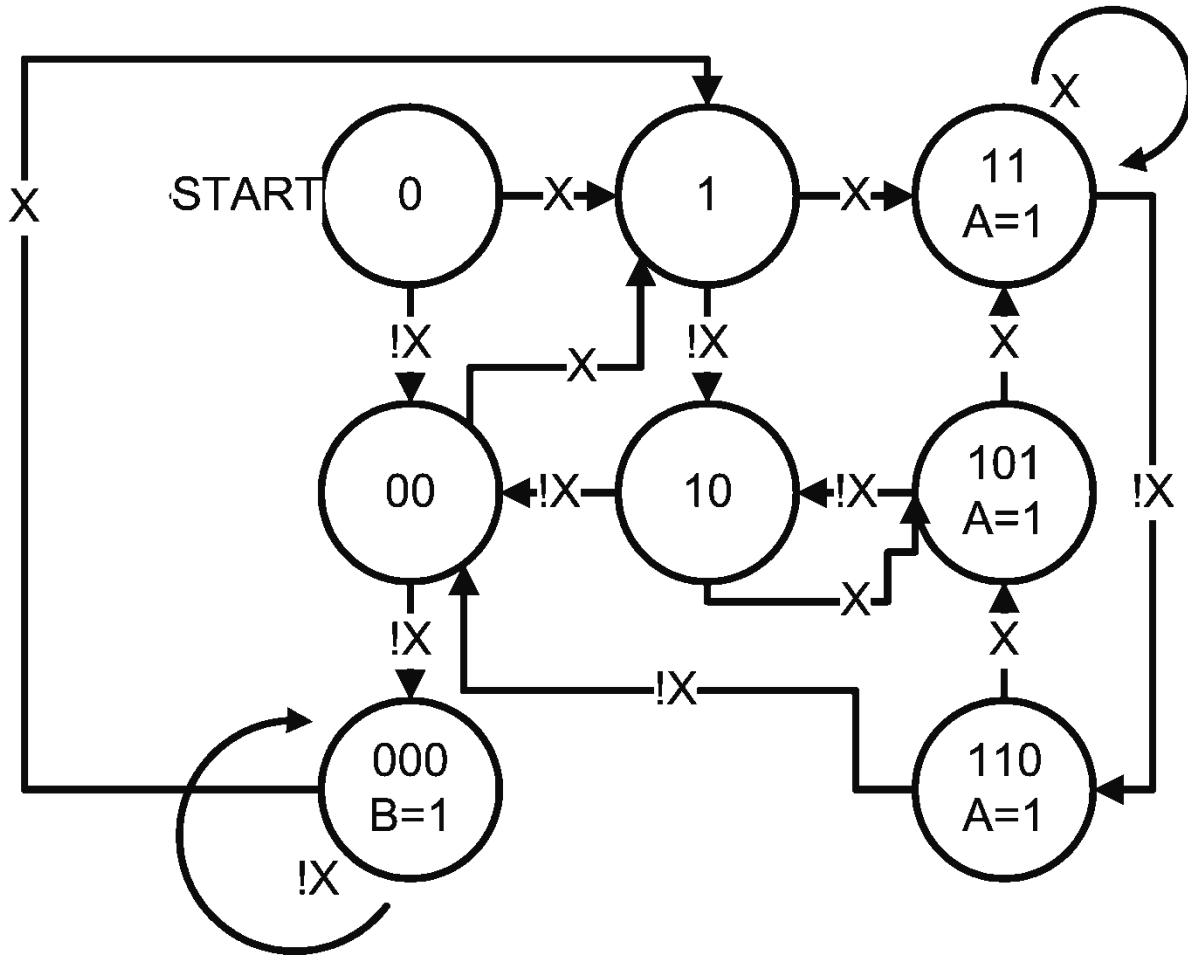
A	B	C	OUT
0	0	0	0
0	0	1	X
0	1	0	0
0	1	1	X
1	0	0	0
1	0	1	0
1	1	0	0
1	1	1	1

2)



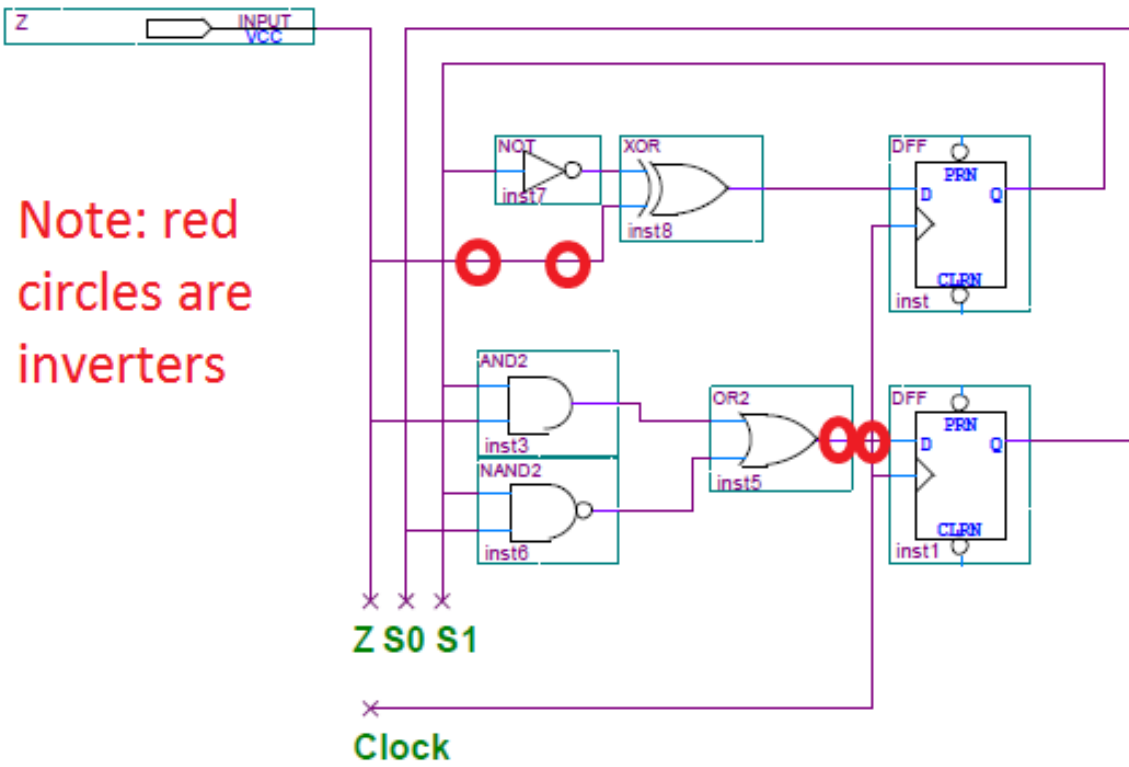
3)

NOTE: OUTPUTS ARE 0 IF NOT SHOWN



4)

a.)



Note: red circles are inverters

b.)

$$T \geq 180 + 40 + 50$$

$$\text{Max Freq} = 3.7\text{GHz}$$