

An Integrated SIS Mixer and HEMT IF Amplifier

S. Padin, D.P. Woody, J.A. Stern, H.G. LeDuc,
R. Blundell, C.-Y.E. Tong and M.W. Pospieszalski

Abstract— Design details are given for a 205-270 GHz fixed-tuned SIS receiver in which the SIS mixer and HEMT IF amplifier are integrated into a single compact unit. The mixer and IF amplifier are connected with an inductor which provides the reactive part of the optimum input impedance for the HEMT. This simple coupling circuit gives an IF bandwidth of ~ 4 GHz. The receiver has a DSB noise temperature in the range 35-80 K over the 205-270 GHz local oscillator band and 0.5-4.5 GHz IF band.

I. INTRODUCTION

In a millimeter-wave SIS receiver, the SIS mixer and HEMT IF amplifier are usually separate units connected with a 50Ω coaxial line. The mixer is attached to the 4 K stage of a refrigerator while the IF amplifier is typically mounted ~ 10 cm away on the 12 K stage [1, 2, 3]. The mixer may have an isolator at its IF port or a matching network which transforms the mixer IF port impedance to 50Ω [4]. The IF amplifier also has a matching network which transforms 50Ω to the optimum input impedance for a HEMT [5].

SIS mixers usually operate with conversion loss so the IF contribution to the receiver noise is significant. IF amplifier noise temperatures increase roughly linearly with frequency and low-noise amplifiers typically have bandwidths of about an oc-

tave [6]. This leads to a compromise between receiver noise and IF bandwidth which is responsible for the popularity of the 1-2 GHz IF band. Increasing the receiver IF bandwidth requires the development of either a wideband low-noise IF amplifier or a mixer with enough gain to precede a noisier amplifier. The first approach is difficult because it requires a low-loss network to simultaneously match a HEMT input to 50Ω and provide the optimum input impedance for the HEMT over a bandwidth of several octaves. Increasing the mixer gain also causes problems because SIS mixers with gain tend to saturate [7].

We have explored a new approach in which the SIS mixer and first IF amplifier are integrated into a single unit with a very simple coupling network between the two circuits. In this case there is no impedance transformation through 50Ω . The mixer is designed to provide an IF port impedance that is real and equal to the real part of the optimum input impedance for a HEMT at a particular IF. The imaginary part of the required input impedance is provided by an inductor. This simple coupling network provides the HEMT with a generator impedance which is close to the minimum noise impedance (Z_{opt}) over a wide range of frequencies. In the standard receiver configuration the coupling network contains a coaxial line and this severely limits the bandwidth of "noise matching" of the SIS junction and HEMT.

The simple coupling circuit in the integrated receiver has lower loss than the isolator, 50Ω line and IF amplifier input matching network in the standard receiver configuration. This reduces the IF contribution to the receiver noise in the integrated receiver. Also, in the integrated receiver the IF amplifier is cooled to 4 K which gives some improvement in noise compared with a receiver where the IF amplifier is at 12 K. Integrating the mixer and IF amplifier substantially reduces the size of the receiver and this is an important advantage for multiple receiver systems such as dual polarization receivers and focal plane arrays. The main disadvantage of the integrated approach is that the mixer and IF amplifier

This work was supported by the National Science Foundation under Grant AST 93-14079 and by NASA Grant NAGW 4030.

S. Padin and D.P. Woody are with the California Institute of Technology, Owens Valley Radio Observatory, Big Pine, CA 93513 USA.

J.A. Stern and H.G. LeDuc are with the Jet Propulsion Laboratory, California Institute of Technology, Pasadena, CA 91109 USA.

R. Blundell and C.-Y.E. Tong are with the Harvard-Smithsonian Center for Astrophysics, Cambridge, MA 02138 USA.

M.W. Pospieszalski is with the National Radio Astronomy Observatory, Charlottesville, VA 22903 USA.

cannot be tested separately with the correct load and source impedances. As a result, the development of an integrated receiver relies heavily on modelling. We used programs written by Wengler [8] to calculate admittance and noise parameters for the SIS junction and the MMICAD [9] microwave circuit design program was used to model the integrated receiver.

II. SIS MIXER

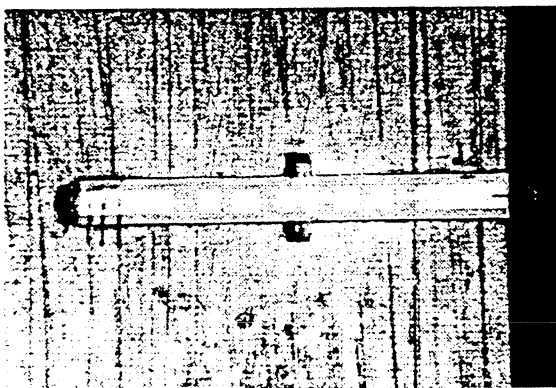


Figure 1 – Photograph of the mixer section of the integrated receiver. This is a split block with a fixed backshort in one half and a transition to the feedhorn in the other. The photograph shows the backshort block with the mixer chip suspended in a channel across the waveguide. The waveguide dimensions are 9.2 x 37 mil. The block was made in a Tree 325 CNC milling machine [17] and the waveguides were punched in the same machine using a rectangular titanium-nitride-coated high-speed-steel die.

The SIS mixer is a copy of a 176-256 GHz mixer designed by Blundell [10] but scaled for a center frequency of 245 GHz. It is a fixed-tuned waveguide design with a corrugated feedhorn and a single SIS junction. The junction is fabricated on a thin-film chip which is suspended across the waveguide as shown in Fig. 1. The chip has a waveguide to microstrip transition and a 3-section microstrip transformer which is designed to present the SIS junction with the optimum impedance for minimum noise. The original mixer achieved a DSB noise temperature of 30-40 K over the 180-250 GHz band at 1.5 GHz IF with a $1.3 \mu\text{m}^2$ 7.5 kAcm^{-2} SIS junction with a normal state resistance of 22Ω .

Bias for the SIS junction is provided through a 45 nH spiral chip inductor connected to the mixer IF port as shown in Fig. 2. The inductor is mounted

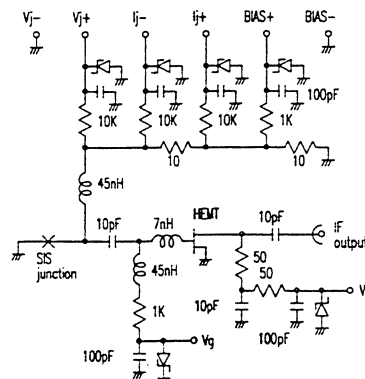


Figure 2 – Circuit diagram of the integrated receiver.

on a 50 mil thick quartz slab to move its parallel resonant frequency above the top of the IF band. The bias network has differential connections for voltage and current monitoring and provides 20Ω shunt resistance across the SIS junction to prevent the bias supply from oscillating when the junction has negative resistance.

For the integrated receiver work, the SIS junction was modelled as a 3-port device (signal, image and IF ports) with admittance and noise parameters computed from a typical I-V curve. MMICAD can only handle 2-port noise parameters so the 3-port junction was synthesized from a triangular array of 2-ports. The mixer model consists of the junction, an image termination, a transformer to simulate the signal port impedance and an IF port circuit which contains the junction capacitance, the various microstrip and suspended stripline sections on the thin film chip and the bias network. The model is primarily a description of the mixer at IF but it can also be used to investigate different signal and image port impedances. For double sideband operation, an SIS junction with a normal state resistance of 22Ω has optimum signal and image port impedances of $\sim 13 \Omega$. The corresponding IF port impedance is $\sim 200 \Omega$ which is close to the real part of the optimum input impedance for a $200 \mu\text{m}$ HEMT at L-band.

III. IF AMPLIFIER

The IF amplifier is a HEMT with very simple input and output networks as shown in Fig. 2. The input network is just a dc blocking capacitor and a 7 nH spiral chip inductor. This inductor and the mixer IF port resistance provide close to the optimum in-

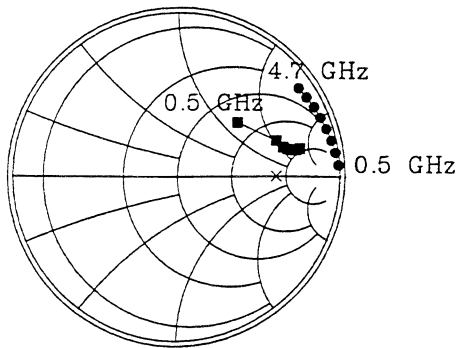


Figure 3 – The impedance presented to the HEMT gate in the integrated receiver (squares) and the optimum input impedance for best noise for an FHR02X HEMT (circles). The points are at 600 MHz intervals. The cross indicates the mixer IF port impedance for an SIS junction with a normal state resistance of 22Ω and the optimum signal impedance. All the calculations were made using MMICAD with an integrated receiver model including parasitics for the chip components and wirebonds. The HEMT model was developed by Pospieszalski [18].

put impedance for the HEMT. The bandwidth of the amplifier is determined by the inductor which forms a low-pass filter with the HEMT gate capacitance. A $200 \mu\text{m}$ HEMT has a gate capacitance of $\sim 200 \text{ fF}$ so a 7 nH gate inductor gives a bandwidth of $\sim 4 \text{ GHz}$. Fig. 3 shows model calculations of the optimum input impedance for an FHR02X $200 \mu\text{m}$ HEMT [11] and the impedance presented to the HEMT gate in the integrated receiver. The impedance at the HEMT gate is slightly less reactive than optimum but a 7 nH inductor gives a good compromise between IF amplifier bandwidth and noise. Below $\sim 500 \text{ MHz}$, the increasing reactance of the dc blocking capacitor reduces the gain of the IF amplifier and moves the HEMT input impedance far from optimum. With just a single inductor at the HEMT gate, deviations from optimum input impedance increase with the mixer IF port capacitance. To reduce this capacitance, the dc blocking capacitor and chip inductor are mounted on a 50 mil quartz slab (which also supports 45 nH inductors for the SIS junction and HEMT gate bias circuits). The mixer IF port capacitance is then dominated by the microstrip transformers on the mixer chip. The quartz slab also serves as a thermal shunt to prevent the HEMT from heating the SIS junction. The HEMT

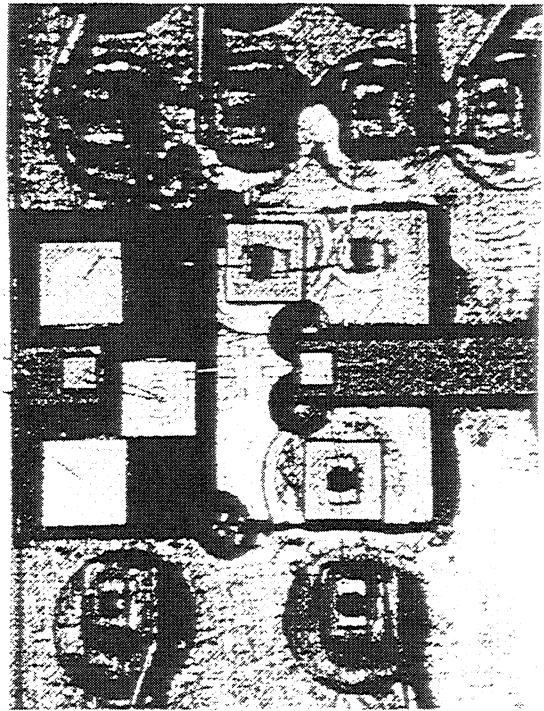


Figure 4 – Photograph of the IF section of the integrated receiver. The HEMT is glued to the pedestal in the center of the photograph. On the left is the 50-mil thick quartz slab which carries the input network and the 45 nH inductors in the bias circuits. The SIS junction bias circuit is at the top of the photograph and the HEMT bias circuit is at the bottom. The small black chips with metallized pads at each end are resistors. These have a wrap-around contact on one side so they can be glued directly to chip capacitors or to the block.

drain has a 50Ω shunt resistor which guarantees unconditional stability and provides a convenient connection for the drain bias. The source is connected directly to ground with short wirebonds.

The IF amplifier and SIS junction bias network are built on a separate sub-block in the integrated receiver. This is shown in Fig. 4. The chip components are soldered to the block or glued with conductive epoxy and connected with 1 mil aluminium wirebonds. Wirebonded chip construction was chosen to minimize parasitics with a view to making the integrated receiver model easier to construct and more accurate. The IF sub-block can be tested in a 50Ω system and while this presents a lower impedance than the mixer IF port the test provides a useful comparison with the IF section of the re-

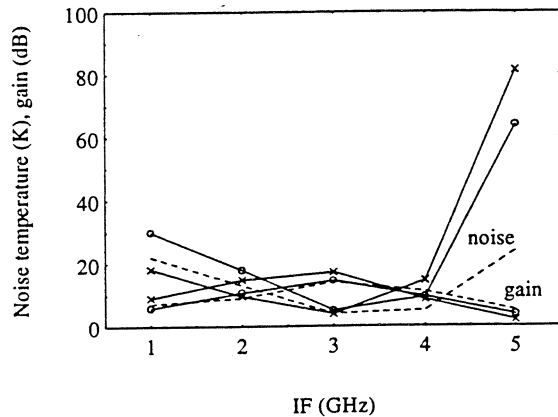


Figure 5 – IF block gain and noise temperature measured with 50Ω input impedance. The circles are for an FHR02X $200 \mu\text{m}$ GaAs HEMT and the crosses are for a $300 \mu\text{m}$ InP HEMT. Noise and gain measurement errors are ~ 2 K and ~ 0.2 dB. The dotted lines are model predictions for an FHR02X HEMT.

ceiver model. To facilitate testing, a plate with a coaxial connector can be attached to the IF sub-block in place of the mixer. Fig. 5 shows the gain and noise temperature for IF blocks with FHR02X and $300 \mu\text{m}$ InP [12, 13] HEMTs along with predictions from the receiver model. The measurements were made at 12 K using a cooled 20 dB attenuator at the input of the IF block [5]. The IF block can also be tested using shot noise from the SIS junction biased above the gap [2]. This yields the amplifier noise temperature with an input impedance equal to the junction normal state resistance ($\sim 22 \Omega$) and provides another test of the receiver model.

IV. INTEGRATED RECEIVER PERFORMANCE

The integrated receiver was tested at 4.2 K in a cryostat with a closed-cycle helium refrigerator [14]. The cryostat has an expanded polyethylene vacuum window and an expanded styrofoam infra-red block. Local oscillator signals were injected using a 1-mil thick mylar beamsplitter. Noise temperature measurements were made using room and liquid nitrogen temperature loads. The receiver gain and 2nd IF amplifier noise contribution were obtained from additional measurements with room and liquid nitrogen temperature coaxial loads at the input to the 2nd IF amplifier.

Fig. 6 shows the noise temperature and gain for several different integrated receivers at 3 GHz IF.

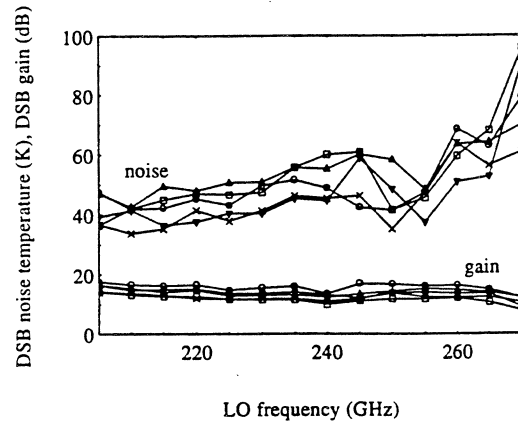


Figure 6 – Noise temperature and gain for several different integrated receivers at 3 GHz IF. The circles indicate a receiver with a $300 \mu\text{m}$ InP HEMT. All the other receivers have FHR02X HEMTs. The noise contribution from the 2nd IF amplifier has been subtracted and noise and gain measurement errors are ~ 5 K and ~ 0.2 dB.

The noise temperature increases from about 35 to 80 K across the 205-270 GHz band. Measurements of the IF output power with hot and cold loads at the receiver input and different local oscillator power levels were used to calculate the noise contribution due to optical and RF coupling losses [15]. For all the receivers measured, the input noise is ~ 20 K at 230 GHz. Fig. 7 shows the receiver noise temperature and gain across the IF band for receivers with FHR02X and InP HEMTs. The receiver with an InP HEMT has approximately flat gain and noise at IFs down to ~ 0.5 GHz but the receiver with an FHR02X HEMT shows a significant increase in noise at the bottom of the IF band. This is because the mixer IF port resistance is much lower than predicted so at low IF the impedance presented to the HEMT gate is far from optimum. Fig. 8 shows typical I-V curves for a receiver. On the 1st photon step, where the junction is generally biased, the resistance is only $\sim 80 \Omega$ instead of the expected $\sim 200 \Omega$. As a result, the IF amplifier noise is similar to that measured with a 50Ω input instead of being roughly constant across the IF band. Fig. 5 shows much better performance for an InP HEMT IF amplifier with a 50Ω input and this explains the lower noise temperature at low IF for the receiver with the InP HEMT. The low mixer IF port resistance is probably caused by a signal impedance that is not optimum.

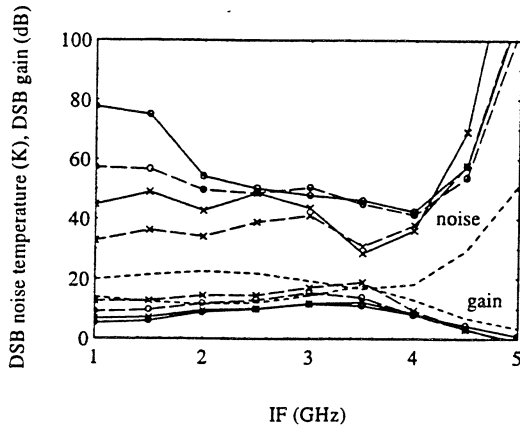


Figure 7 - Receiver noise temperature and gain across the IF band at 230 GHz (circles) and 250 GHz (crosses). The solid lines are for an FHR02X HEMT and the dashed lines are for a 300 μm InP HEMT. The same mixer was used for all the measurements so these results provide a direct comparison of the different IF amplifiers. The noise contribution from the 2nd IF amplifier has been subtracted and noise and gain measurement errors are ~ 5 K and ~ 0.2 dB. The dotted lines are model predictions. Note that these do not include the mixer input loss which contributes ~ 20 K at 230 GHz.

V. CONCLUSIONS

We have demonstrated an integrated SIS mixer and HEMT IF amplifier with good noise performance over a 4-GHz IF bandwidth. In addition to being sensitive, the receiver is fixed-tuned, small and easy to construct, all of which are big advantages for systems with many receivers. The present version of the integrated receiver has just a single IF stage so the gain is small and the receiver must be followed by a low-noise amplifier. A second integrated IF stage could be included and the inter-IF coupling network designed to compensate the passband variations in the single IF stage receiver. The IF bandwidth could also be increased further. This would require a smaller HEMT with a lower gate capacitance to increase the cut-off frequency of the low-pass filter at the IF amplifier input. Providing the optimum input impedance for the smaller HEMT would require a mixer with a very low IF port capacitance so the tuning structures would not use microstrip. With a 50 μm InP HEMT and a coplanar waveguide mixer chip designed by Kerr [16], our receiver model predicts an IF bandwidth of ~ 8 GHz.

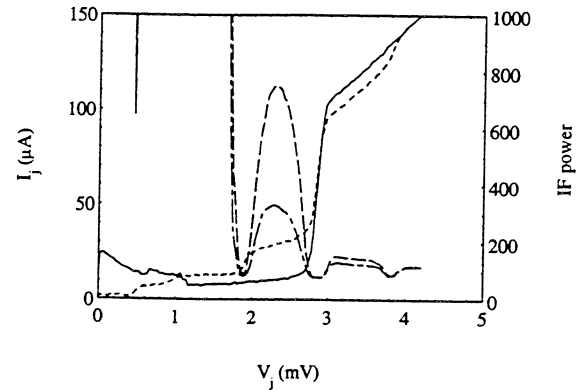


Figure 8 - I-V and IF power curves for a typical integrated receiver. The solid line is the dc I-V response of the unpumped SIS junction and the dotted line is for the junction pumped at 230 GHz with the optimum local oscillator power for minimum noise. The junction normal state resistance is 25 Ω and the resistance on the first photon step is 79 Ω . The dashed lines show the IF response (arbitrary units) at 1.5 GHz with room temperature (295 K) and cold (74 K) loads.

REFERENCES

- [1] B.N. Ellison, P.L. Schaffer, W. Schaal, D. Vail and R.N. Miller, "A 345 GHz Receiver for Radio Astronomy," *Int. J. IR & MM Waves*, vol. 10, pp.937-948, 1989.
- [2] D.P. Woody, R.E. Miller and M.J. Wengler, "85-115 GHz Receivers for Radio Astronomy," *IEEE Trans. Microwave Theory Tech.*, vol. 33, no. 2, pp. 90-95, February 1985.
- [3] T.H. Buttgenbach, R.E. Miller, M.J. Wengler, D.M. Watson and T.G. Phillips, "A Broad-Band Low-Noise SIS Receiver for Submillimeter Astronomy," *IEEE Trans. Microwave Theory Tech.*, vol. 36, no. 12, pp. 1720-1726, December 1988.
- [4] J.W. Kooi, M. Chan, T.G. Phillips, B. Bumble and H.G. LeDuc, "A Low Noise 230 GHz Heterodyne Receiver Employing 0.25 μm^2 Area Nb/ AlO_x /Nb Tunnel Junctions," *IEEE Trans. Microwave Theory Tech.*, vol. 40, no. 5 pp. 812-815, May 1992.
- [5] S. Padin and G.G. Ortiz, "A Cooled 1-2 GHz Balanced HEMT Amplifier," *IEEE Trans. Mi-*

- crowave Theory Tech.*, vol. 39, no. 7, pp. 1239-1243, July 1991.
- [6] M.W. Pospieszalski, "Ultra-Low-Noise Receivers for the 1 to 120 GHz Frequency Range," *Proc. 23rd European Microwave Conference*, 1993, pp. 73-79.
- [7] J.R. Tucker and M.J. Feldman, "Quantum Detection at Millimeter Wavelengths," *Rev. Mod. Phys.*, vol. 57, no. 4, pp. 1055-1113, October 1985.
- [8] M.J. Wengler, "Heterodyne Detection with Superconducting Tunnel Junctions," Ph.D. thesis, California Institute of Technology, Pasadena, June 1987.
- [9] Optotek Ltd., Kanata, Ontario, K2K 2A9, Canada.
- [10] R. Blundell, C.-Y.E. Tong, D.C. Papa, R.L. Leombruno, X. Zhang, S. Paine, J.A. Stern, H.G. LeDuc and B. Bumble, "A Wideband Fixed-Tuned SIS Receiver for 200 GHz Operation," *Proc. Fifth Int. Symp. Space Terahertz Tech.*, 1994, pp. 27-37.
- [11] Fujitsu Compound Semiconductor Inc., San Jose, CA, 95131, USA.
- [12] M.W. Pospieszalski, L.D. Nguyen, M. Lui, T. Liu, M.A. Thompson and M.J. Delaney, "Very Low Noise and Low Power Operation of Cryogenic AlInAs/GaInAs/InP HFETs," *Proc. 1994 IEEE MTT-S Int. Microwave Symp.*, San Diego, CA, pp. 1345-1346, May 1994.
- [13] M.W. Pospieszalski, W.J. Lakatosh, L.D. Nguyen, M. Lui, T. Liu, M. Le, M.A. Thompson and M.J. Delaney, "Q- and E-Band Cryogenically-Coolable Amplifiers Using AlInAs/GaInAs/InP HEMTs," *Proc. 1995 Int. Microwave Symp.*, Orlando, FL, May 1995, in press.
- [14] D.P. Woody, C.J. Giovanine and R.E. Miller, "Dual Channel 115 and 230 GHz SIS Receivers in Operation at the Owens Valley Radio Observatory," *IEEE Trans. Magnetics*, vol. 25, no. 2, pp. 1366-1370, March 1989.
- [15] R. Blundell, R.E. Miller and K.H. Gundlach, "Understanding Noise in SIS Receivers," *Int. J. IR & MM Waves*, vol. 13, no. 1, pp. 3-14, 1992.
- [16] A.R. Kerr, S.-K. Pan, A.W. Lichtenberger and D.M. Lea, "Progress on Tunerless SIS Mixers for the 200-300 GHz Band," *IEEE Microwave and Guided Wave Letters*, vol. 2, no. 11, pp.454-456, November 1992.
- [17] Tree Machine Tool Company Inc., Racine, Wisconsin, USA.
- [18] M.W. Pospieszalski, "Modelling of Noise Parameters of MESFETs and MODFETs and Their Frequency and Temperature Dependence," *IEEE Trans. Microwave Theory Tech.*, vol. 37, no. 9, pp. 1340-1350, September 1989.